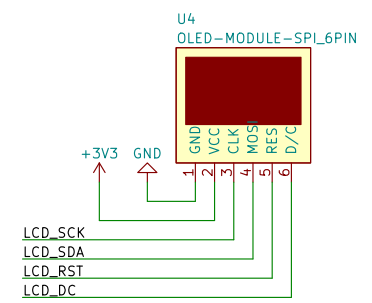
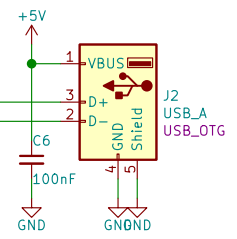
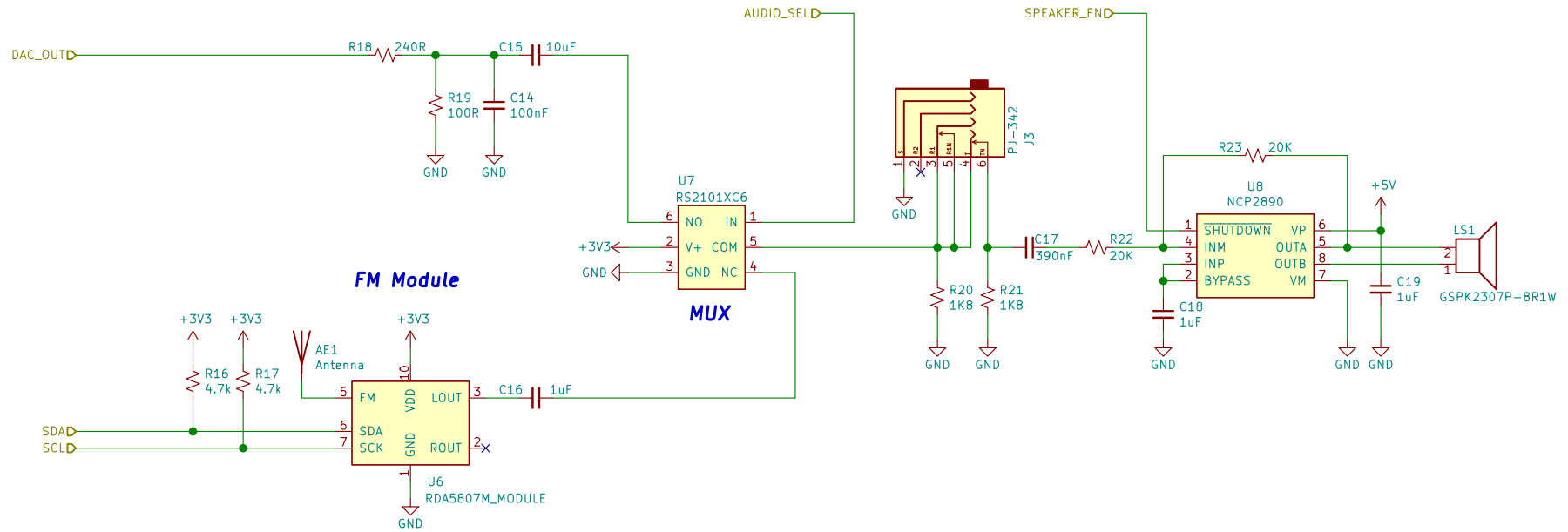


Auto program

DTR	RTS	->	RST	I00
1	1		1	1
0	0		1	1
1	0		0	1
0	1		1	0



Audio Output



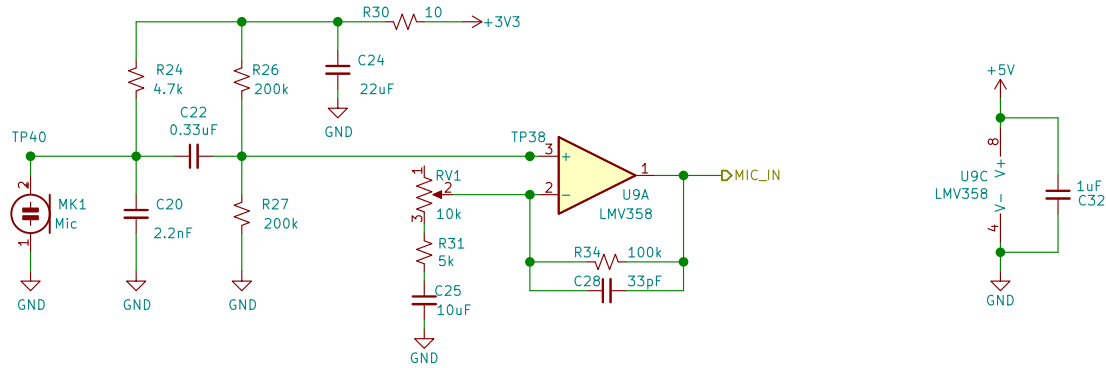
Sheet: /speaker/
File: speaker.sch

Title:

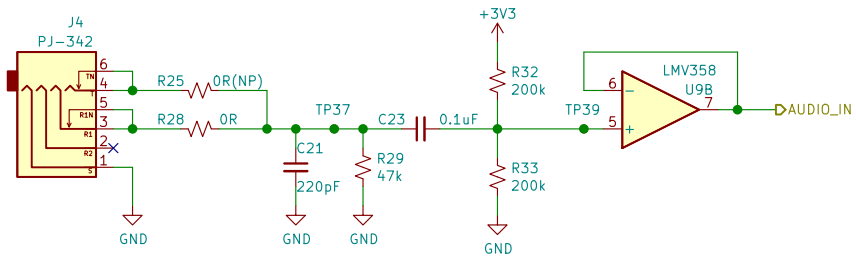
Size: A4 Date: KiCad E.D.A. kicad (5.1.10)-1

Rev: Id: 2/3

MIC Input



Audio Input



Sheet: /Mic_in/
File: Mic_in.sch

Title:

Size: A4 Date:
KiCad E.D.A. kicad (5.1.10)-1

Rev:
Id: 3/3